



Wall Mounting Unit

RK-C42WBT3 Assembly and Mounting Instructions

Thank you for purchasing this Wall Mounting Unit.

We recommend that you read this manual thoroughly before use in order to familiarize yourself with this unit.

Please store this manual in a safe place after reading it.

- Mounting a plasma display television requires specific technical knowledge. Do not attempt to mount the unit by yourself.
- Please be aware that screw holes and anchor bolts will remain in the wall surface if the Wall Mounting Unit is removed after having been mounted to the wall.
Long-term use of the plasma display may result in discoloration of the wall surface due to heat/air emitted by the display.

For Assembly By Authorized Service Personnel Only

Consult authorized service personnel for the installation of this unit. Installation instructions must be followed precisely in order to prevent accidents. We are selling this product with the understanding that it will be assembled and installed by properly trained and qualified service personnel.

We are not liable for any damage caused by faulty assembly, faulty wall mounting, insecure wall mounting, misuse, alterations, or natural disasters.

Danger




This unit weighs approx. 60 kg (approx. 132 lbs.) including plasma display monitor. Incomplete or inadequate mounting of this unit to the wall may cause it to fall down, resulting in potentially fatal accidents.

Please consult authorized service personnel for the installation of this unit.

Safety Precautions

Explanation of symbols

The following section describes the symbols used in this manual. Read this section prior to using the product for correct usage. The following items contain information for your safety. Follow these precautions precisely. Warning and Caution are defined as follows:

 Danger	Improper handling in disregard of these notices may result in danger of death or bodily harm.
 Warning	Improper handling in disregard of these notices may result in bodily injury and even death.
 Caution	Mishandling of the unit in disregard of these notices may result in bodily injury or damage to the unit.

Examples:



The \triangle indicates caution (including warning or danger).



The \circ indicates a prohibition, with the specific action indicated either in the circle itself (the symbol at left means "Do Not Disassemble"), or in the accompanying text.

Assembly and Mounting Warnings

Danger

- Consult authorized service personnel for the installation and attachment of this unit to the wall. This unit weighs approx. 60 kg (approx. 132 lbs.), including display monitor. Improper assembly or installation may cause the unit to fall when it is mounted, which may result in fatal accidents. To prevent this happening, check the strength of the materials in the mounting surface, and have at least two persons carry out the installation in a suitable location. Check the material strength again after mounting as well.



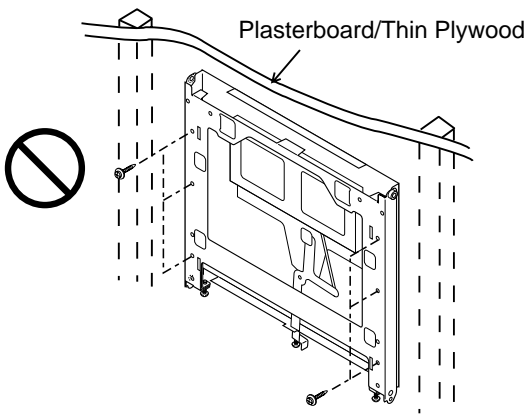
Warning

- Using display monitors other than those authorized by Victor with the unit may result in damage or bodily injury due to the display monitor and stand toppling over.
- Assemble all bolts, nuts and screws securely. Failure to do so may result in display monitor and wall mounting falling down, potentially causing damage or bodily injury.
- Avoid placing heavy objects on the power cord, as damage to the power cord may result, causing fire or electric shock.
- This unit does not come with anchor bolts for securing it to walls, etc. Be sure you have materials on hand as appropriate for the mounting location.



Mounting the Wall Unit

⚠ Warning



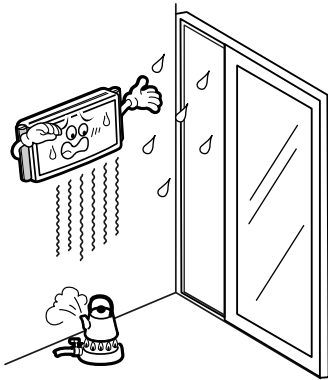
■ **The Wall Mounting Unit should be mounted to a wall that can adequately hold the total weight of the plasma display and the Wall Mounting Unit over a long period of time and which can adequately withstand earthquakes, conceivable vibrations, and other external forces.**
Improper installation may cause the plasma display to fall down, resulting in physical injury.

● **Mounting On Wooden Walls**

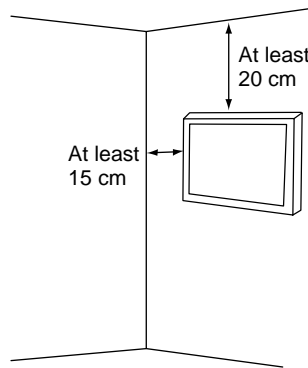
The weight of the unit should be borne by the wall posts or studs, and these should be reinforced if insufficiently strong. Do not install the Wall Mounting Unit on walls made of plasterboard or thin plywood. Use the commercially sold screws best suited for the wall structure and material.

● **Mounting On Concrete Walls**

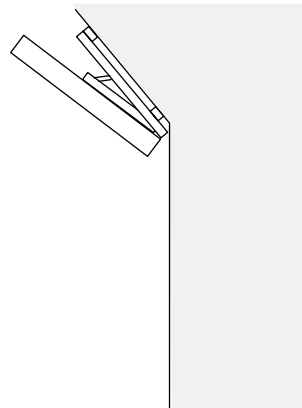
Use commercially sold wall anchors capable of supporting the weight of the plasma display.



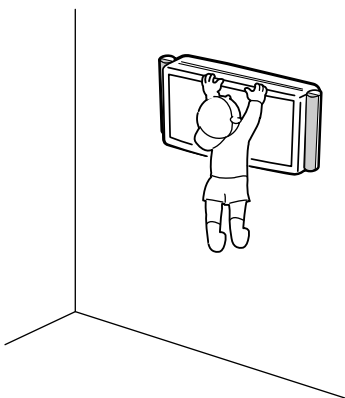
- **Do not install the Wall Mounting Unit in a location which is hot or humid or which may become wet, as the presence of excessive moisture may lead to fire or electric shock.**
- **Do not install the Wall Mounting Unit near the blower or air inlet of an air conditioner.**
- **Do not install the unit in a location with a large amount of dust, soot, or cigarette smoke, as this may lead to fire.**



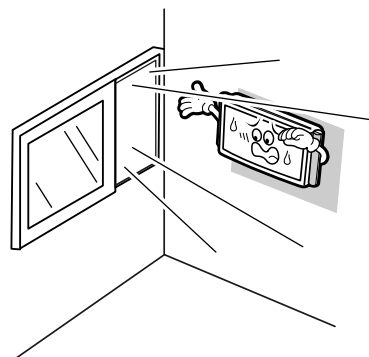
- **Do not block the ventilation holes, and be sure to leave sufficient space around the unit for ventilation.**
Inadequate ventilation may cause the unit interior to overheat, leading to fire.



- **Do not install the Wall Mounting Unit on a non-vertical wall.**
The unit interior may overheat, resulting in fire, or the unit may fall down, causing physical injury.



- **Do not install the Wall Mounting Unit in a location subject to frequent vibration, impact or other external forces.**
The unit may fall down or be damaged, causing physical injury.
- **Do not install the unit in a location where people may hang on it or lean against it.**
Doing so may cause the unit to fall down or be damaged, resulting in injury.



- **Do not install the unit in a location exposed to direct sunlight or strong light, as viewing the plasma display in an overly bright environment can be tiring for the eyes.**



⚠ Caution

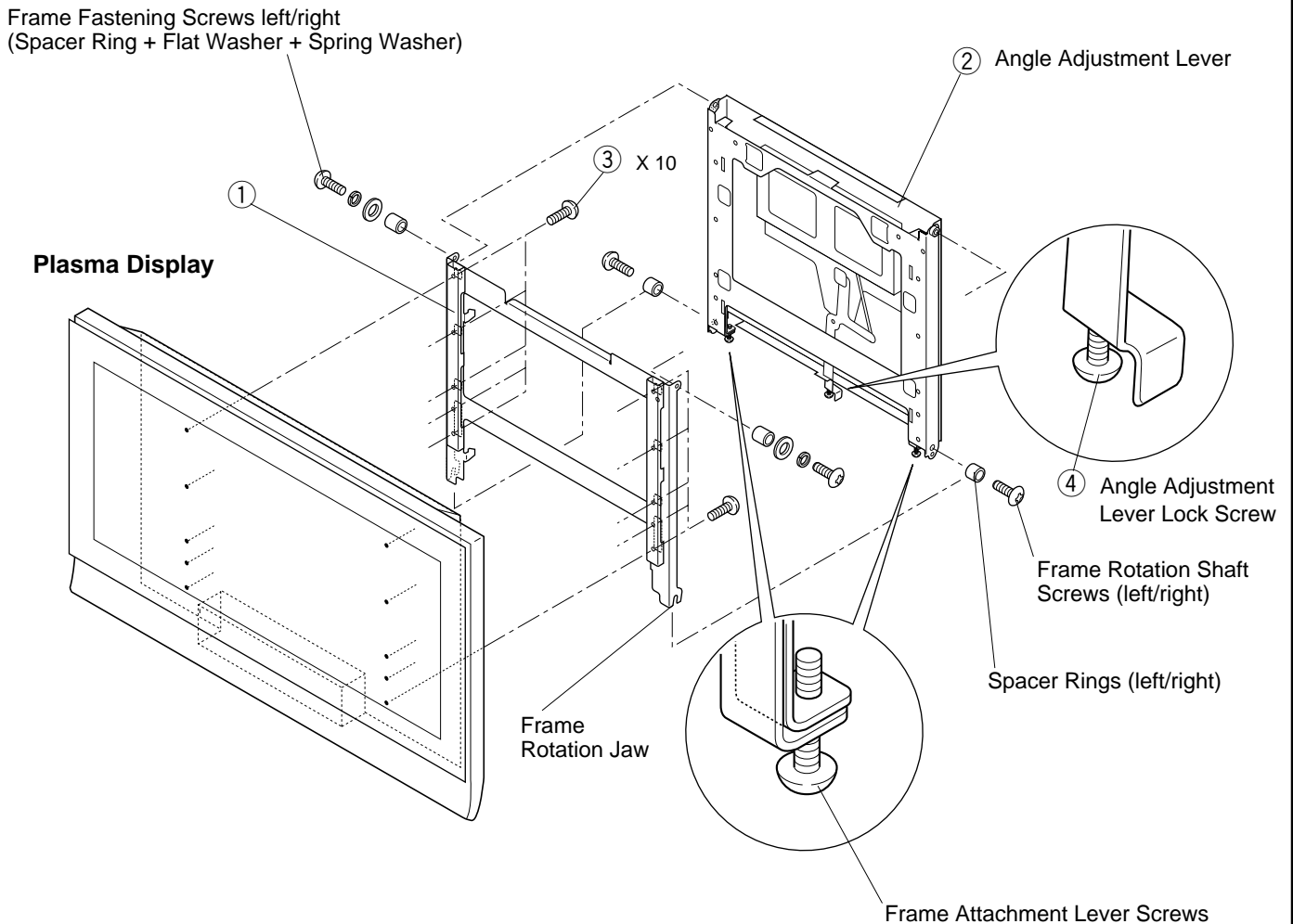
- Consult authorized service personnel for electrical work. Using power cords damaged during installation (i.e., exposed or severed wiring) may result in fire or electric shock.
- Conduct the work with adequate working space. Damage or bodily injury may result from working under unsuitable conditions.
- Avoid mounting this unit in areas where there is electrical wiring or water pipes, as fire or electric shock may result.



Tools Required for Assembly:

1. Type 2 Philips Screwdriver (+)
2. Type 2 Philips Screwdriver (+) with 300mm (approx. 12-inch) or longer shaft

<Names of Parts>



<Components List>

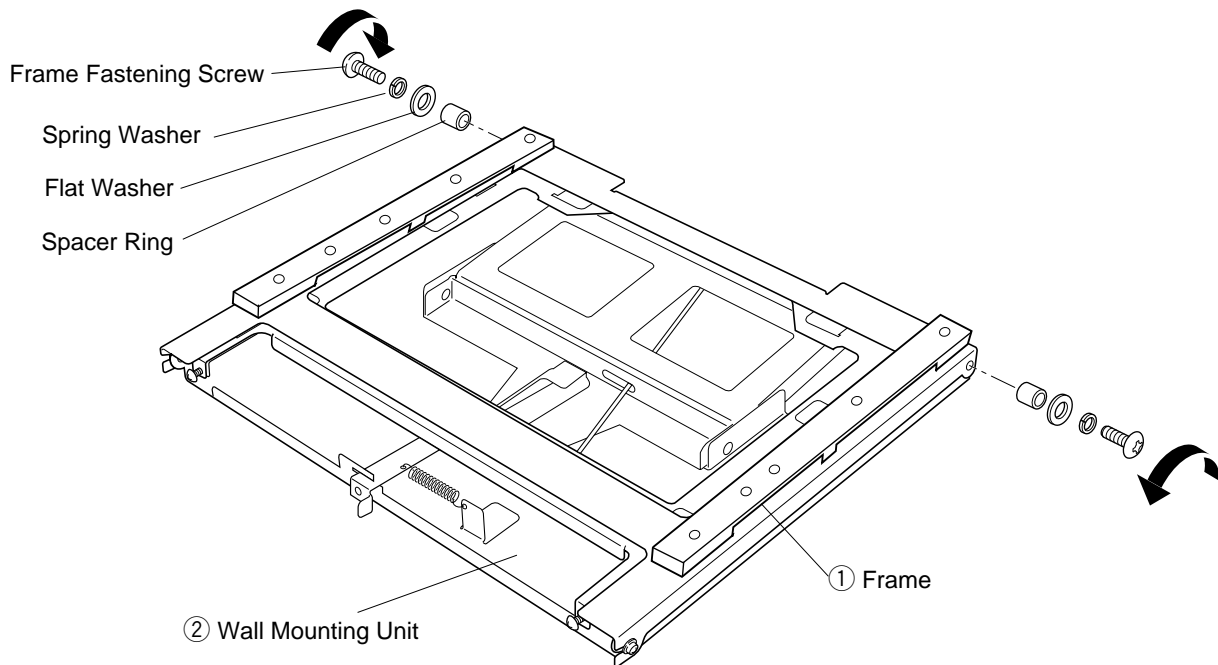
<table border="0" style="width: 100%;"> <tr> <td style="width: 50%;">① Frame</td> <td style="width: 50%;">1</td> </tr> <tr> <td>② Wall Mounting Unit</td> <td>1</td> </tr> </table>	① Frame	1	② Wall Mounting Unit	1	Parts bag contains:	<table border="0" style="width: 100%;"> <tr> <td style="width: 50%;">③ Screw (M5 X 30)</td> <td style="width: 50%;">10</td> </tr> <tr> <td>④ Screw (M5 X 20)</td> <td>1</td> </tr> </table>	③ Screw (M5 X 30)	10	④ Screw (M5 X 20)	1
① Frame	1									
② Wall Mounting Unit	1									
③ Screw (M5 X 30)	10									
④ Screw (M5 X 20)	1									

<Before Attaching Plasma Display>

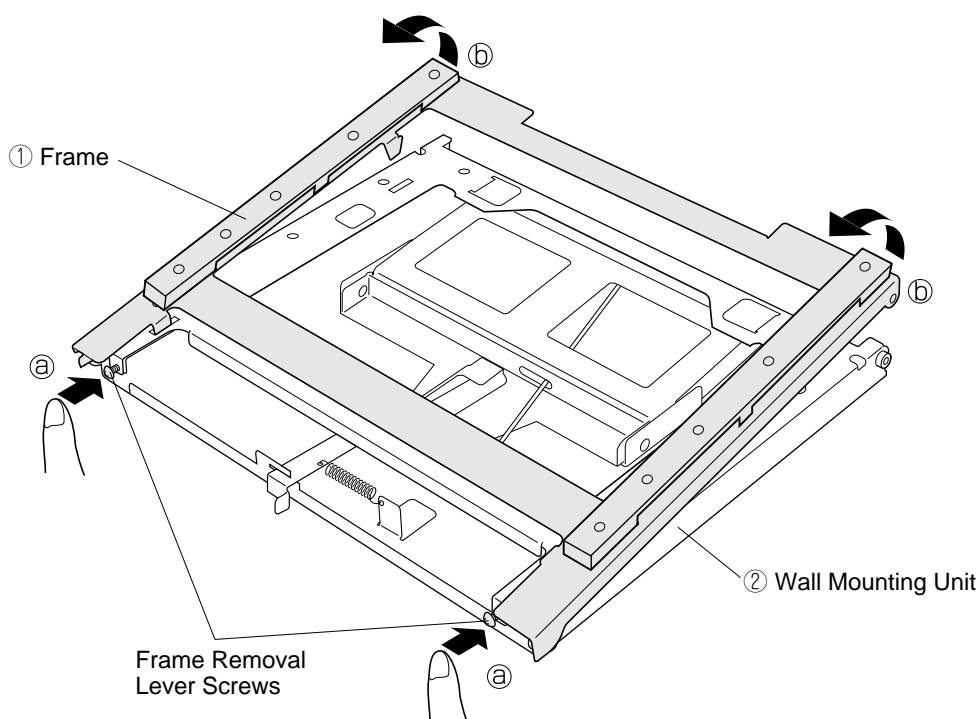
The Wall Mounting Unit is sold with Frame ① and Wall Mounting Unit ② fixed together. The following steps should be performed before attaching the plasma display.

1. Take the left and right Frame Fastening Screw Components and remove the Fastening Screw, Spacer Ring, Flat Washer, and Spring Washer.

* These Frame Fastening Screws, Spacer Rings, Flat Washers, and Spring Washers will be used when attaching the plasma display to the Wall Mounting Unit. Be sure to keep them in a safe place.



2. Push in the heads of the left and right Frame Removal Lever Screws (a) and lift up section (b) to remove the Frame ① from the Wall Mounting Unit ②.



Mounting the Plasma Display



Danger

Fasten all bolts and screws securely. Failure to do so may cause the plasma display and Wall Mounting Unit to fall down, causing potentially fatal accidents.

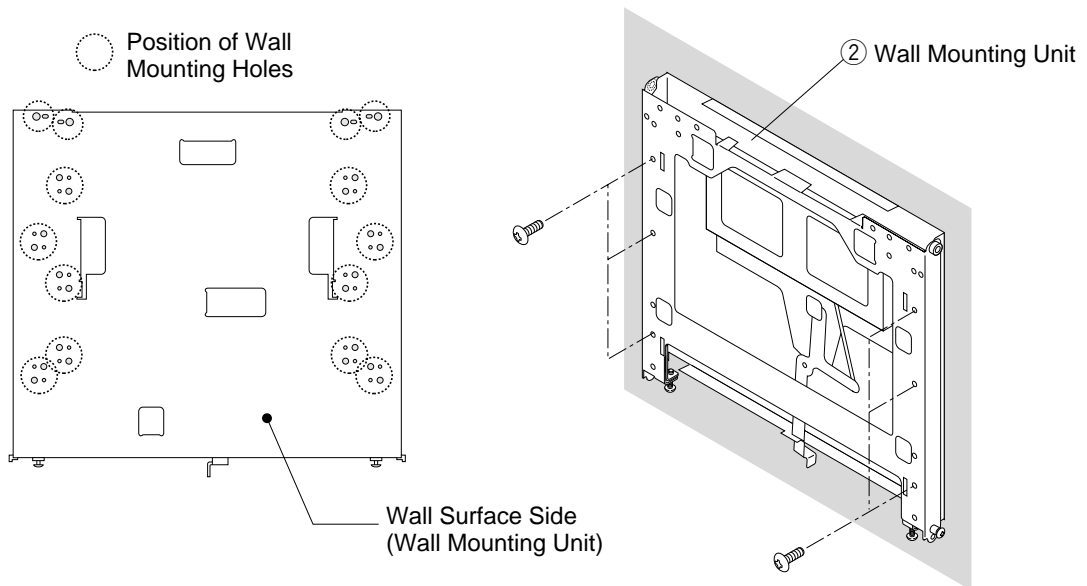
Improper positioning/installation of the Wall Mounting Unit on the wall may cause the unit to fall down. Check the structure, material, and strength of the mounting surface thoroughly and carry out installation in a suitable location. Failure to do so may cause the plasma display and Wall Mounting Unit to fall down, leading to potentially fatal accidents.

Instructions for Assembly

1. Attach the Wall Mounting Unit ② to the surface of the wall.

The unit should be attached using the method most suited to the wall structure.

- * When anchor nuts/bolts are to be inserted into the wall before mounting, either align the actual Wall Mounting Unit ② with the wall to determine the positioning of the holes or calculate the positioning of the holes using a dimensional drawing of the unit before installing the anchor nuts/bolts.



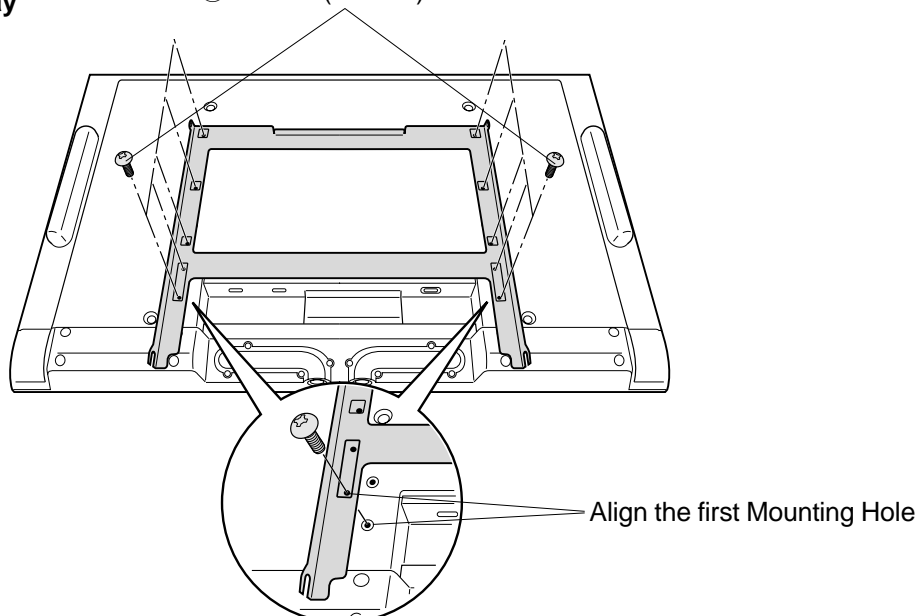
2. Attach Frame ① to the plasma display.

The screws (M5X30) ③ should be used to attach the Frame ① to a plasma display.

- * A soft mat or similar material should be laid out to prevent damage to the plasma display during attachment to the unit.

Plasma Display

③ Screws (M5X30) x 10



<Instructions for Assembly, cont'd>

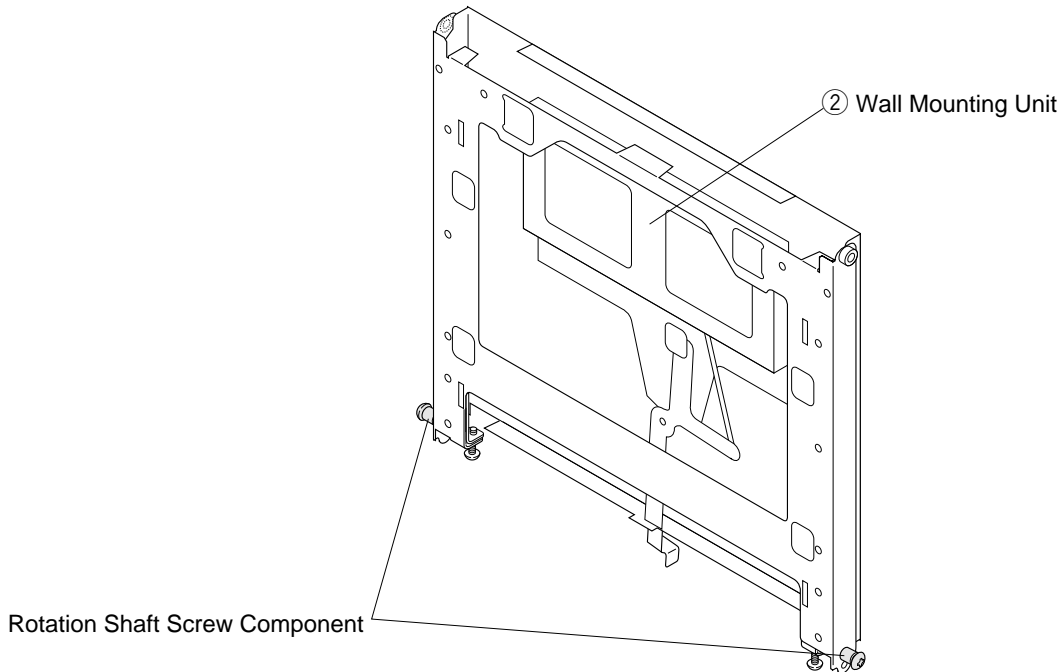


Caution

Avoid inserting fingers into the gap between the Frame and the Wall Mounting Unit when putting these together, as fingers will get trapped, causing injury.

3. Identify the Rotation Shaft Screws of the Wall Mounting Unit.

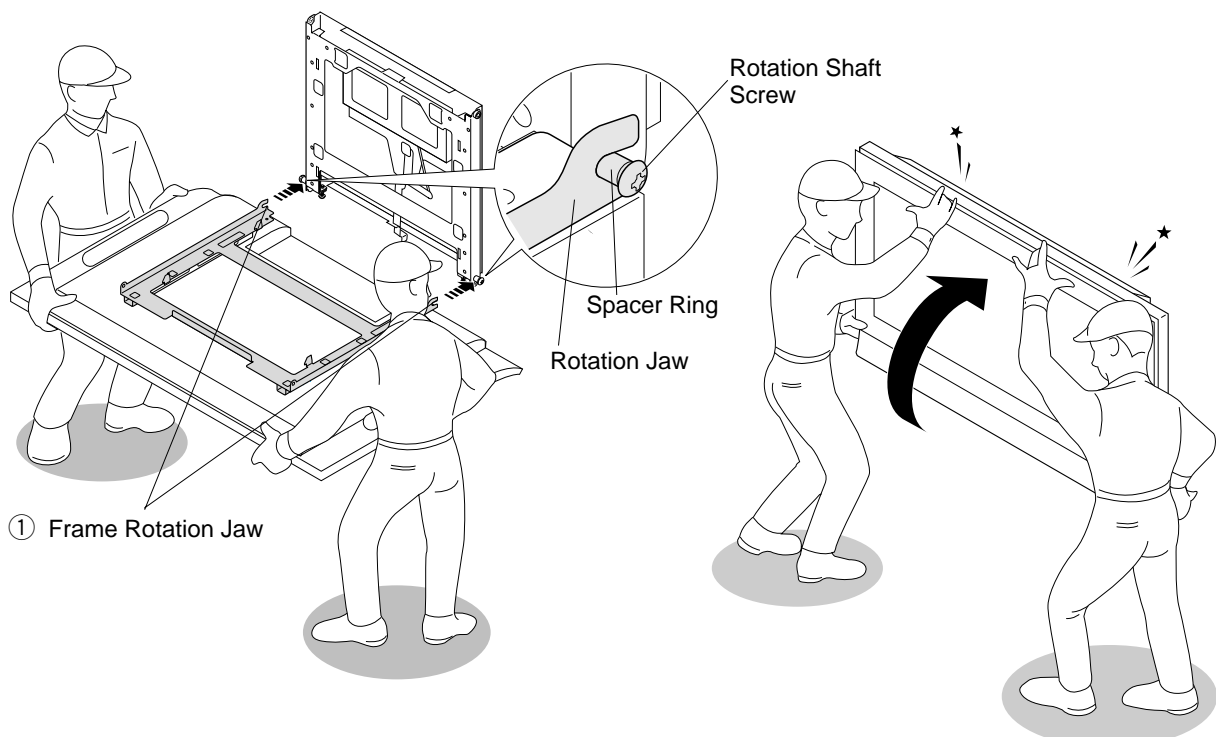
Check that the left and right Rotation Shaft Screws are secure, as the Rotation Jaw of the Frame (attached to the plasma display) will be inserted into the Rotation Shaft Screw Component of the Wall Mounting Unit ②.



4. Attach the plasma display to the Wall Mounting Unit.

* This task must be performed by at least two persons.

Insert the Rotation Jaw of the Frame ① (attached to the plasma display) securely into the Rotation Shaft Screw Component of the Wall Mounting Unit, then raise up the plasma unit on this axis and push it into place - it should lock with a clicking sound. Before releasing the unit, check that the plasma display is securely fitted and does not rattle and loose.



<Instructions for Assembly, cont'd>

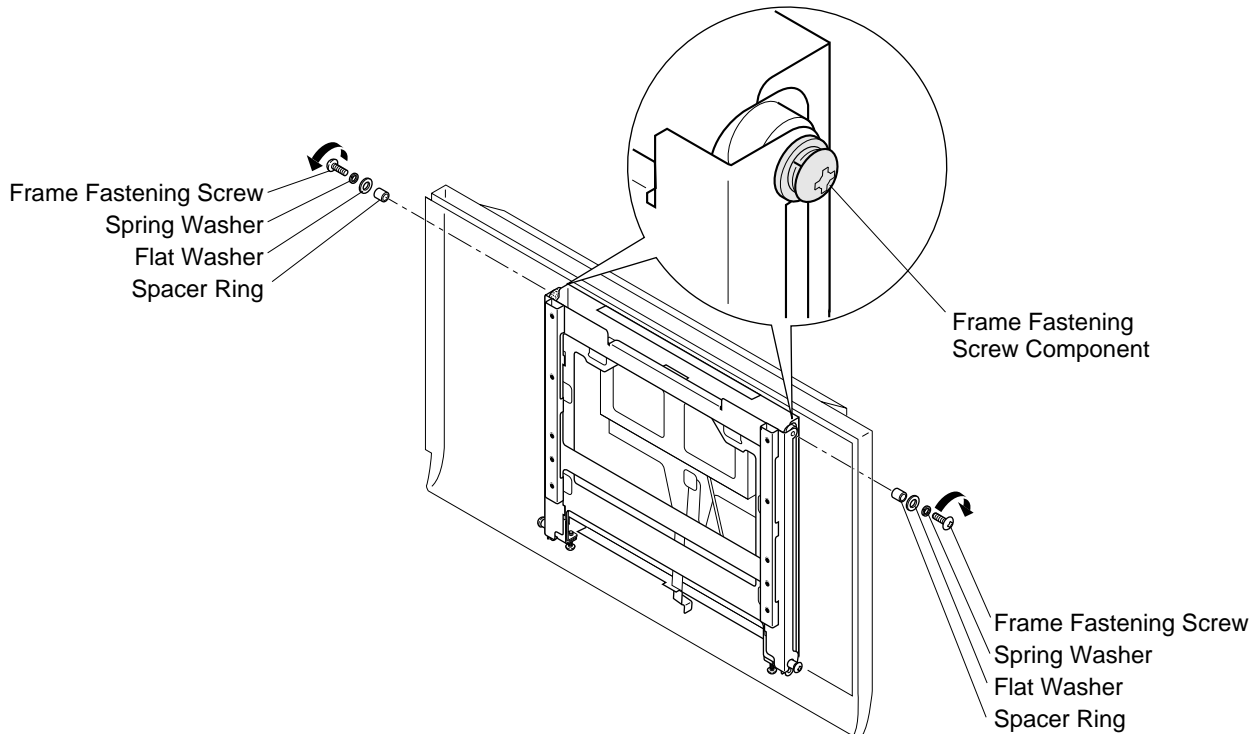


Caution

Avoid inserting fingers into the gap between the Frame and the Wall Mounting Unit when putting these together, as fingers will get trapped, causing injury.

5. Fix the Frame and Wall Mounting Unit.

Combine the Frame Fastening Screws, Spacer Rings, Flat Washers, and Spring Washers (from the two pairs of Frame Fastening Screw Components that were put aside when detaching the Frame ① from the Wall Mounting Unit ②) as shown below and fasten them securely using a screwdriver.



* Confirm that all of the parts are securely fastened and do not rattle and loose.

<Instructions for Assembly, cont'd>



Caution

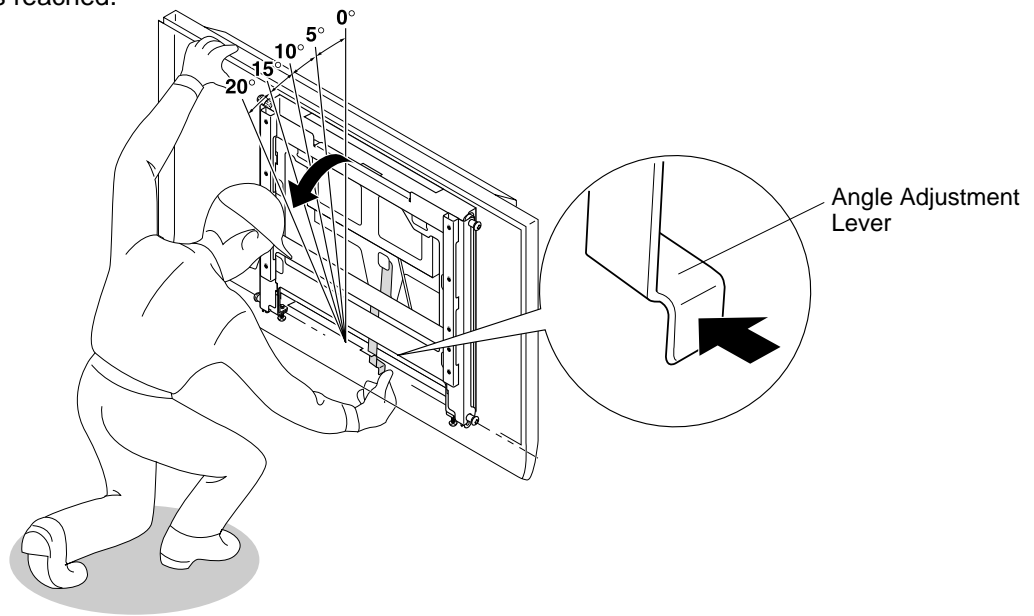
Grip the plasma display firmly while adjusting the angle, as the display could tip over and cause injury.

Adjusting the Angle of the Plasma Display

* The angle of the Wall Mounting Unit can be adjusted to 0°, 5°, 10°, 15°, and 20°.

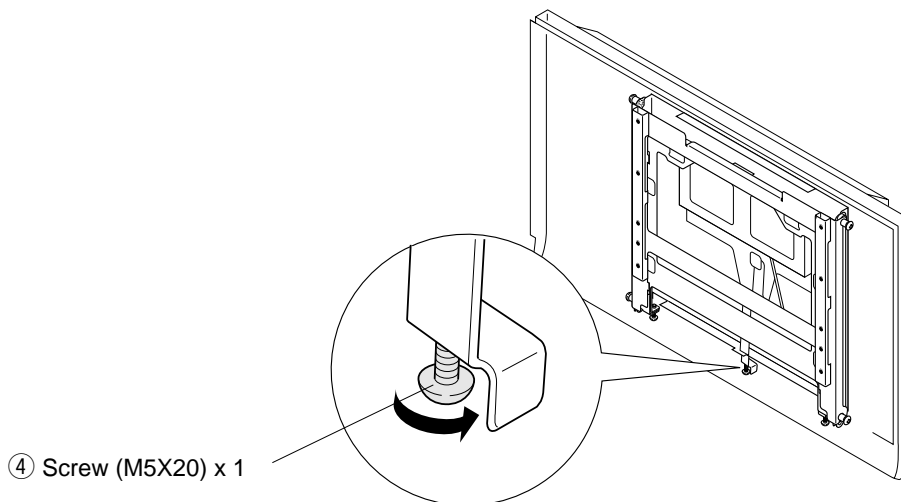
1. Adjust the angle of the plasma display.

Brace the upper middle part of the plasma display with one hand and push the Angle Adjustment Lever to the left with the other hand. The plasma display will tip forward. Release the Angle Adjustment Lever when the desired angle setting is reached.



2. Fix the Angle Adjustment Lever.

Once the plasma display has been set at the desired angle, fasten the Angle Adjustment Lever with the screw (M5X20) ④.



* Check to make sure that the Angle Adjustment Lever is securely fastened and the plasma display does not rattle and loose.

* Note: do not fasten the Angle Adjustment Lever if the power cord or system cables have yet to be attached.

<Instructions for Assembly, cont'd>

Connecting the Power Cord and System Cables

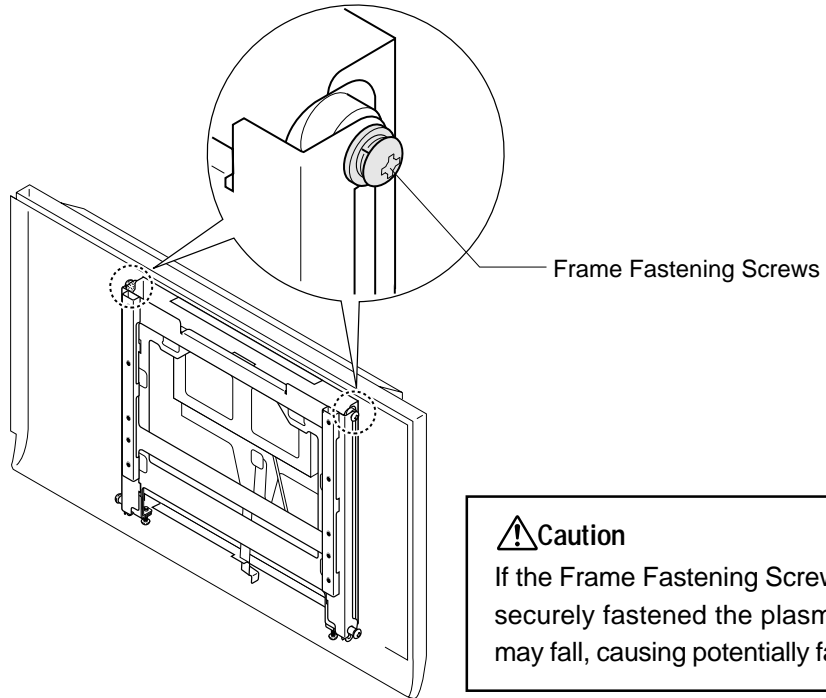


Caution

Grip the plasma display firmly while connecting the power cord/system cables, as the display may tip over and cause injury.

1. Check the Frame Fastening Screws.

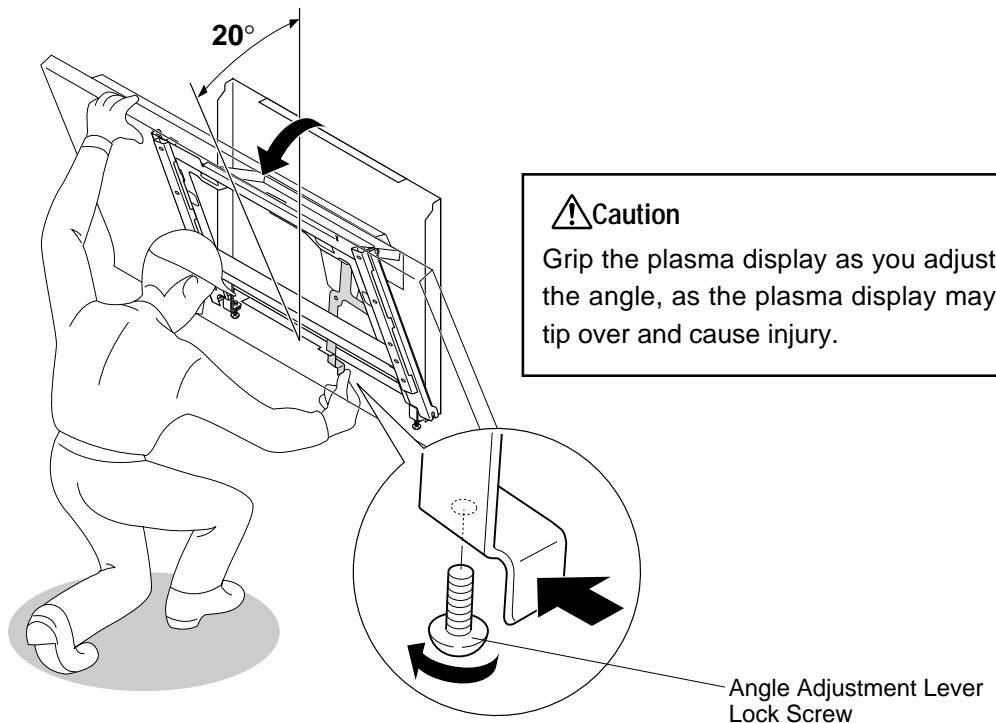
Check that the two Frame Fastening Screws on the upper left and right sides of the Wall Mounting Unit are securely fastened.



Caution
If the Frame Fastening Screws are not securely fastened the plasma display may fall, causing potentially fatal injury.

2. Place one hand on top of the plasma display to steady it and with the other hand set the Angle Adjustment Lever to 20°.

* If the Angle Adjustment Lever has already been fastened, perform this task after removing the Angle Adjustment Lever Lock Screw.



Caution
Grip the plasma display as you adjust the angle, as the plasma display may tip over and cause injury.

Angle Adjustment Lever
Lock Screw

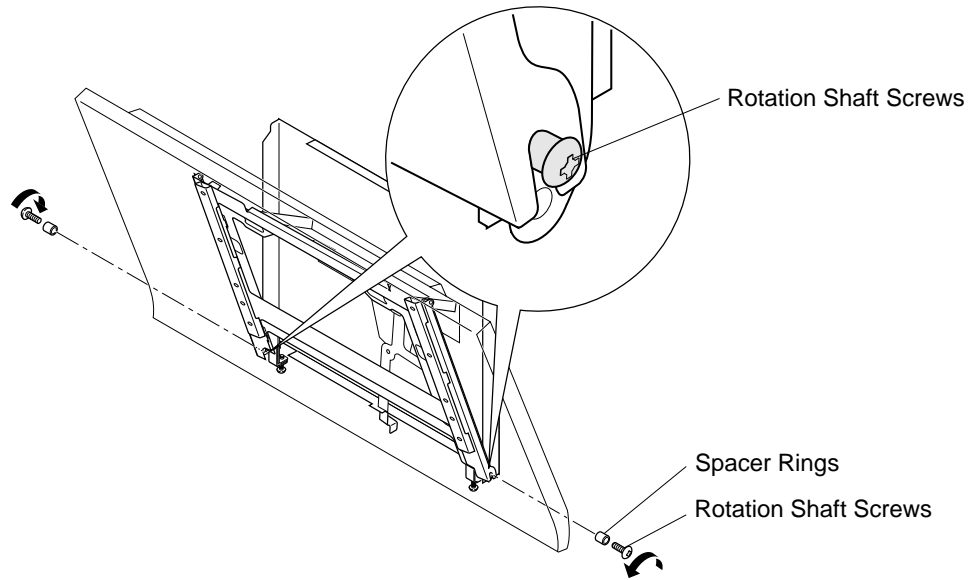
<Instructions for Assembly, cont'd>



Caution

Brace the plasma display when connecting the power cable or system cables. Failure to do so may allow it to tip over, potentially causing injury.

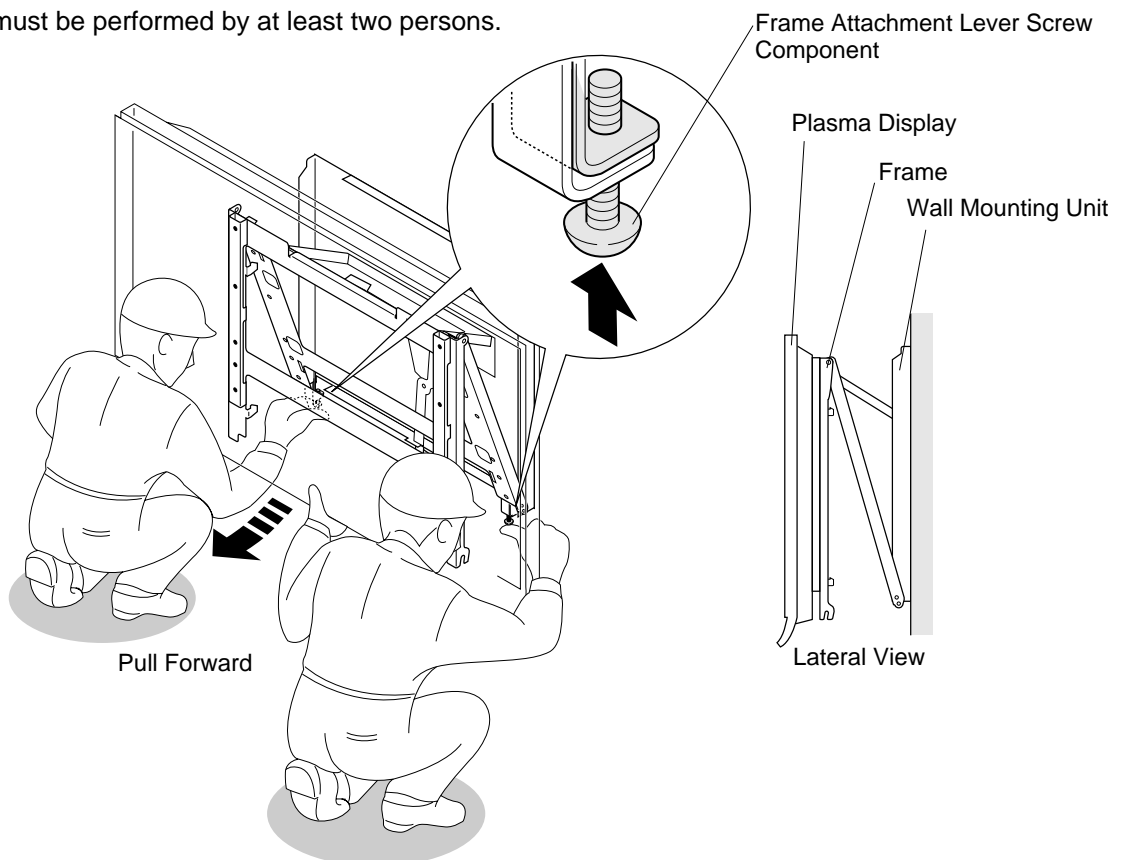
3. Remove the Rotation Shaft Screws and Spacer Rings at the bottom left and right of the Wall Mounting Unit.
 - * The Rotation Shaft Screws and the Spacer Rings will be used after the cables have been connected. Be sure to keep them in a safe place.



4. Pull the plasma display forward.

Brace the bottom of the plasma display and push up the heads of the screws at the left/right of the Frame Attachment Lever Screw component at the bottom of the Wall Mounting Unit, until the screws come into contact with the Frame. The plasma display can now be pulled forward.

- * This task must be performed by at least two persons.



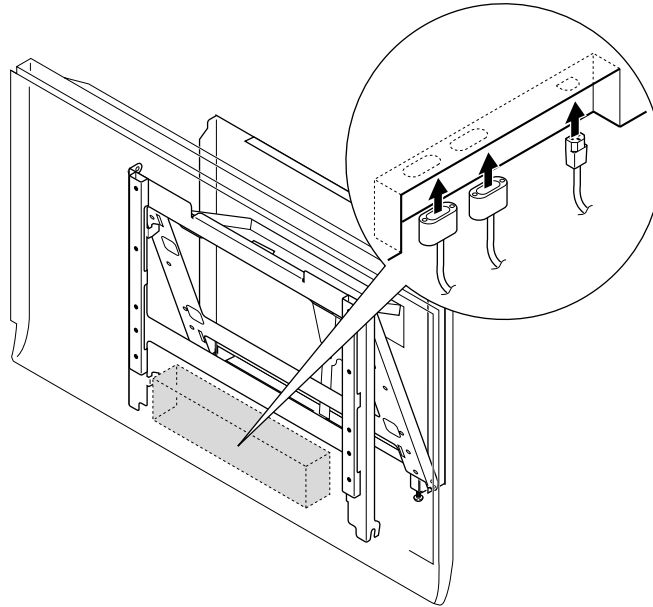
<Instructions for Assembly, cont'd>



Caution

Brace the plasma display while connecting the power cord or system cables, as the display may tip over, causing injury.

5. Connect the power cable and system cables to the plasma display.

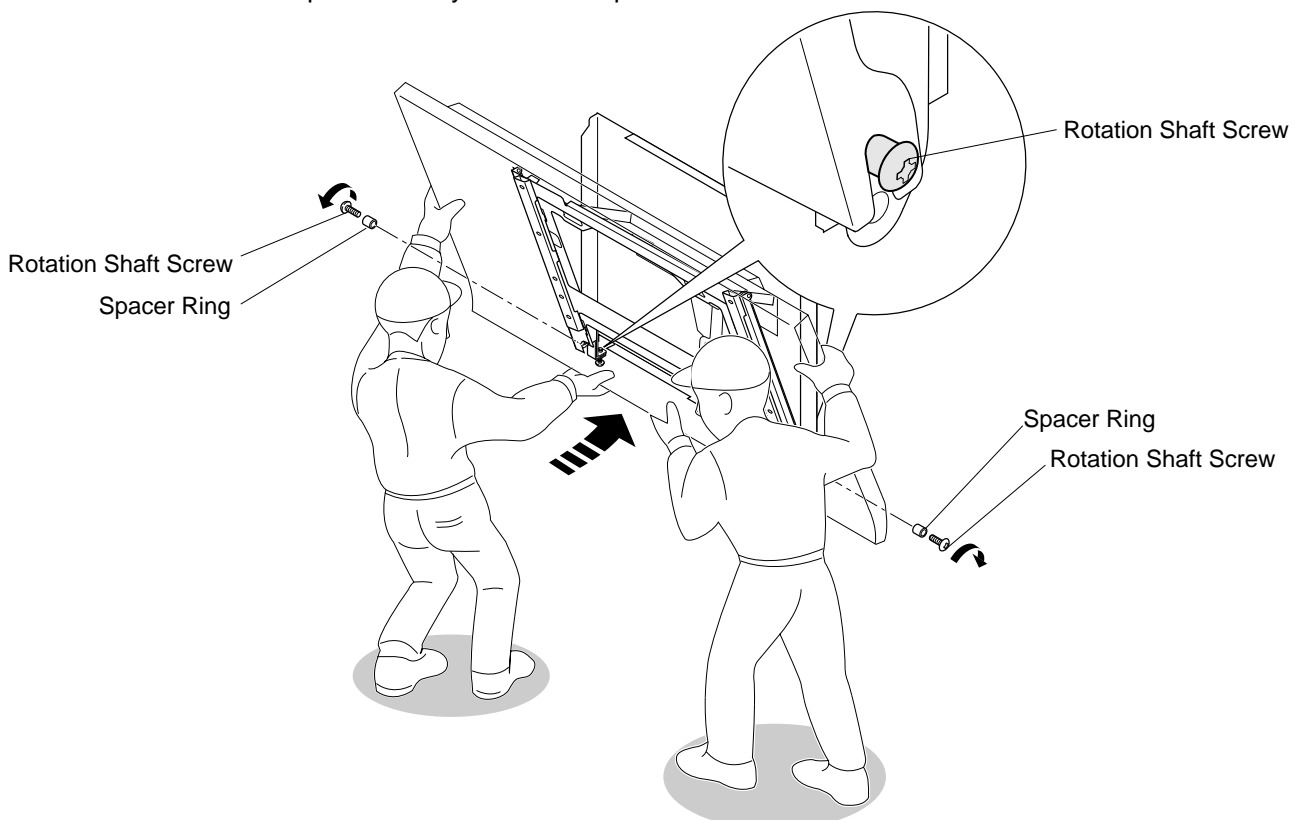


* Be careful not to let the cables become caught between the plasma display and the Wall Mounting Unit.

6. Fix the Plasma Display to the Wall Mounting Unit.

Push the bottom of the plasma display toward the Wall Mounting Unit to securely fasten the display to the Wall Mounting Unit. Then, fasten the Rotation Shaft Screw Component at the bottom left/right of the Wall Mounting Unit with the Rotation Shaft Screws and the Spacer Rings.

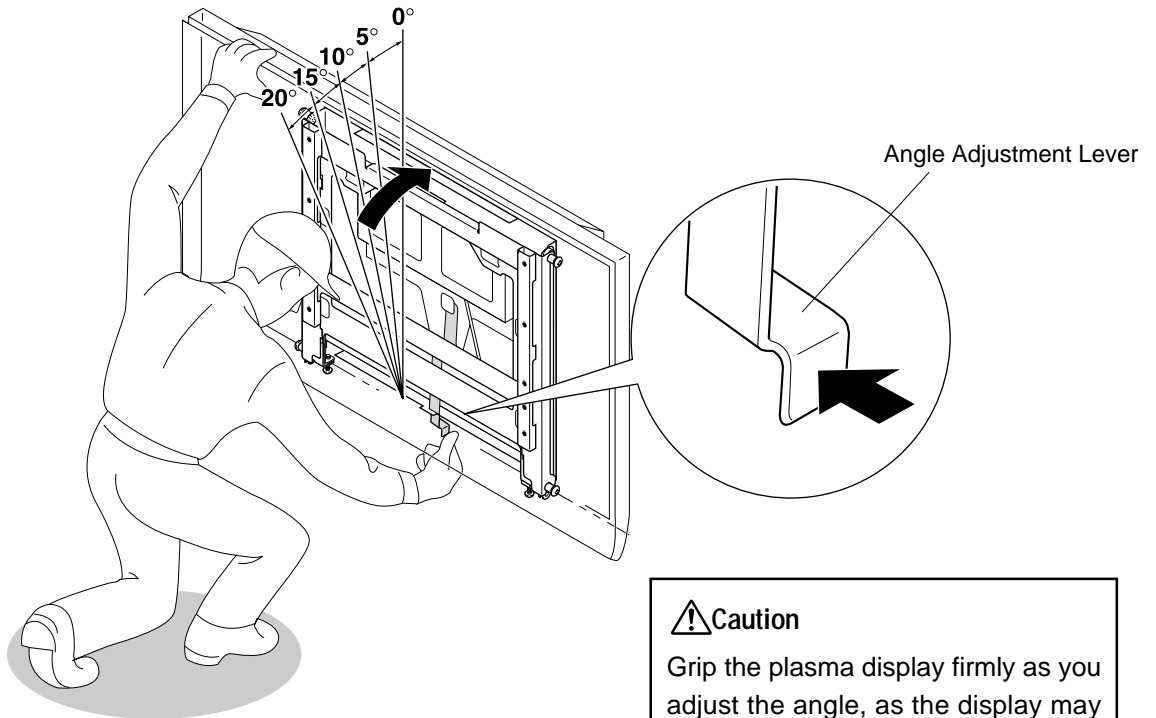
* This task must be performed by at least two persons.



<Instructions for Assembly, cont'd>

7. Set the angle of the plasma display.

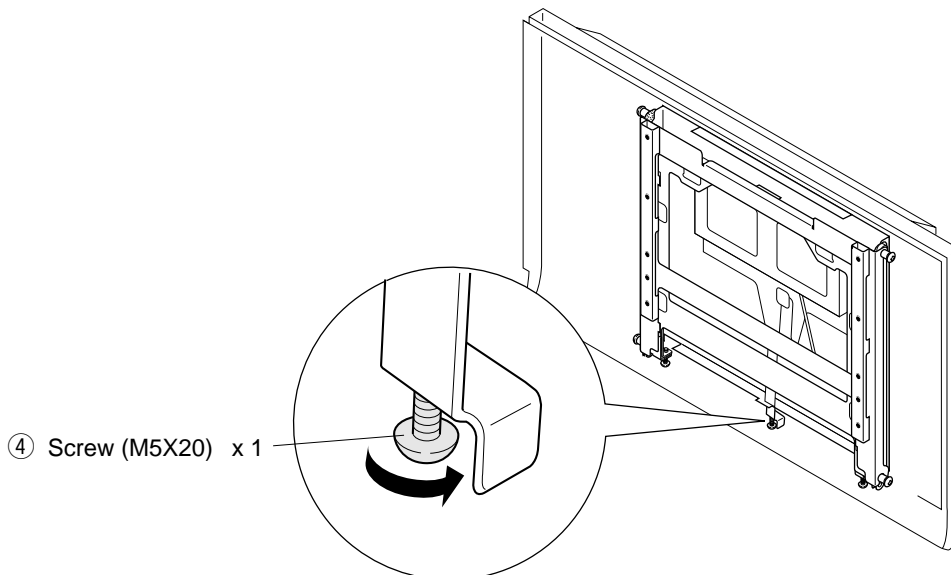
Hold the upper part of the plasma display with one hand and set the display to the desired angle with the other hand, using the Angle Adjustment Lever on the Wall Mounting Unit.



8. Fasten the Angle Adjustment Lever.

Once the angle of the plasma display has been set, fasten the Angle Adjustment Lever with the Screw (M5X20)

④.



* Check to make sure that the lever is securely fastened and the plasma display does not rattle.

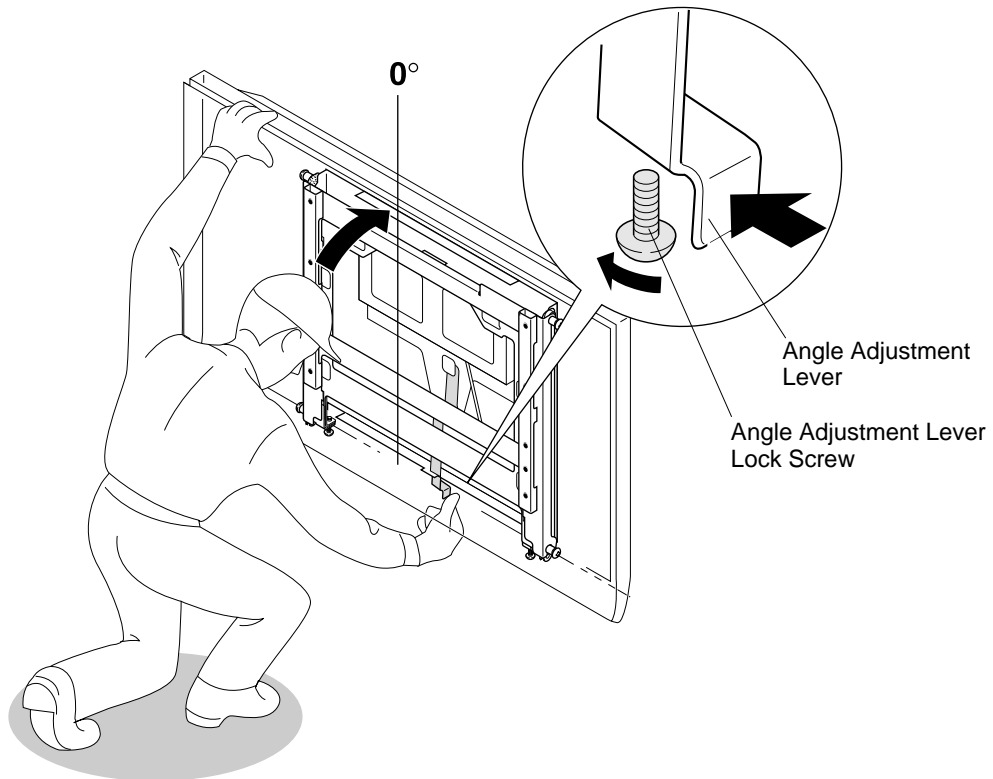
<Instructions on Removing the Plasma Display>



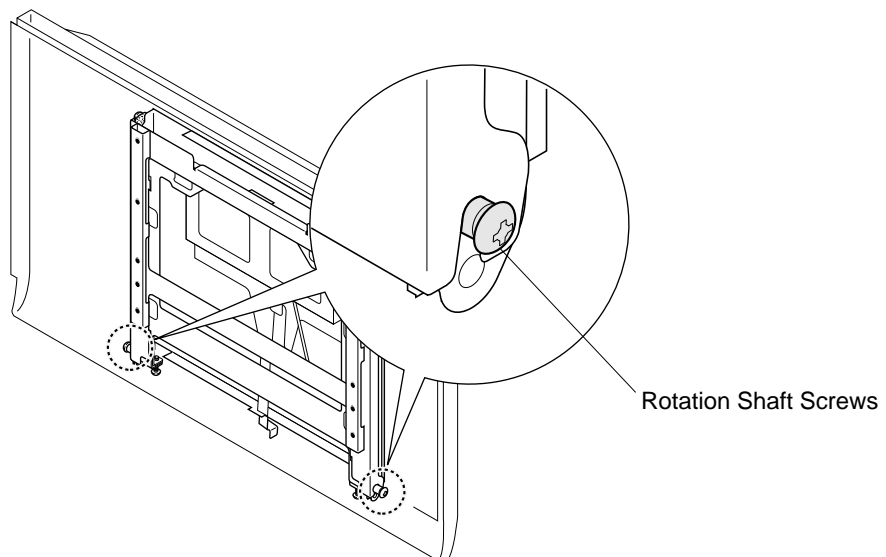
Danger

This task must be performed by at least two persons.

1. Hold the upper middle of the plasma display and set the Angle Adjustment Lever to 0°.
 - * If the Angle Adjustment Lever has been fastened, remove the Angle Adjustment Lever Lock Screw before performing this task.



2. Confirm that the Frame Rotation Shaft Screws at the left and right bottom of the Wall Mounting Unit are securely fastened.



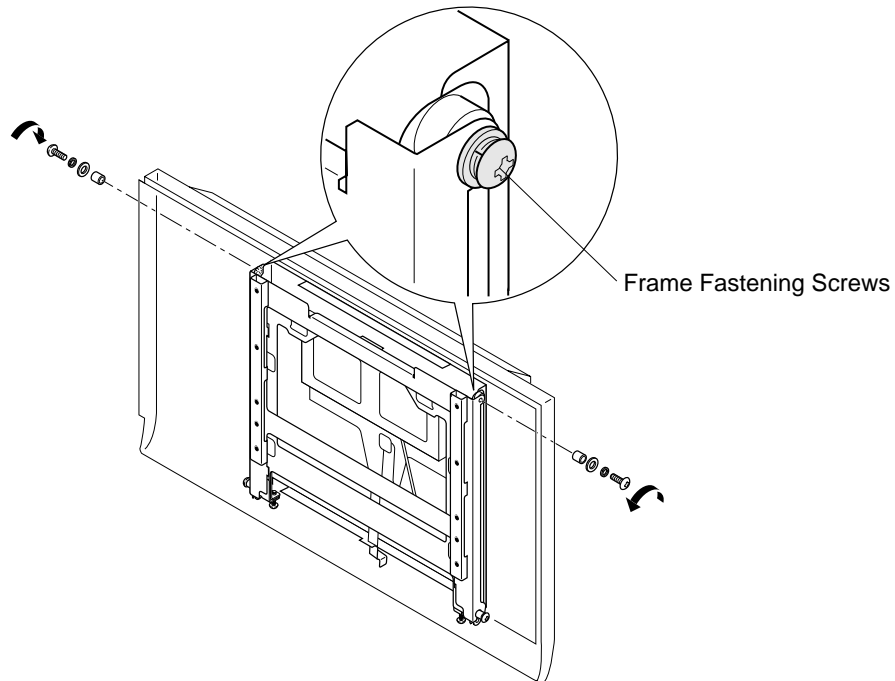
<Instructions for Removing the Plasma Display, cont'd.>



Danger

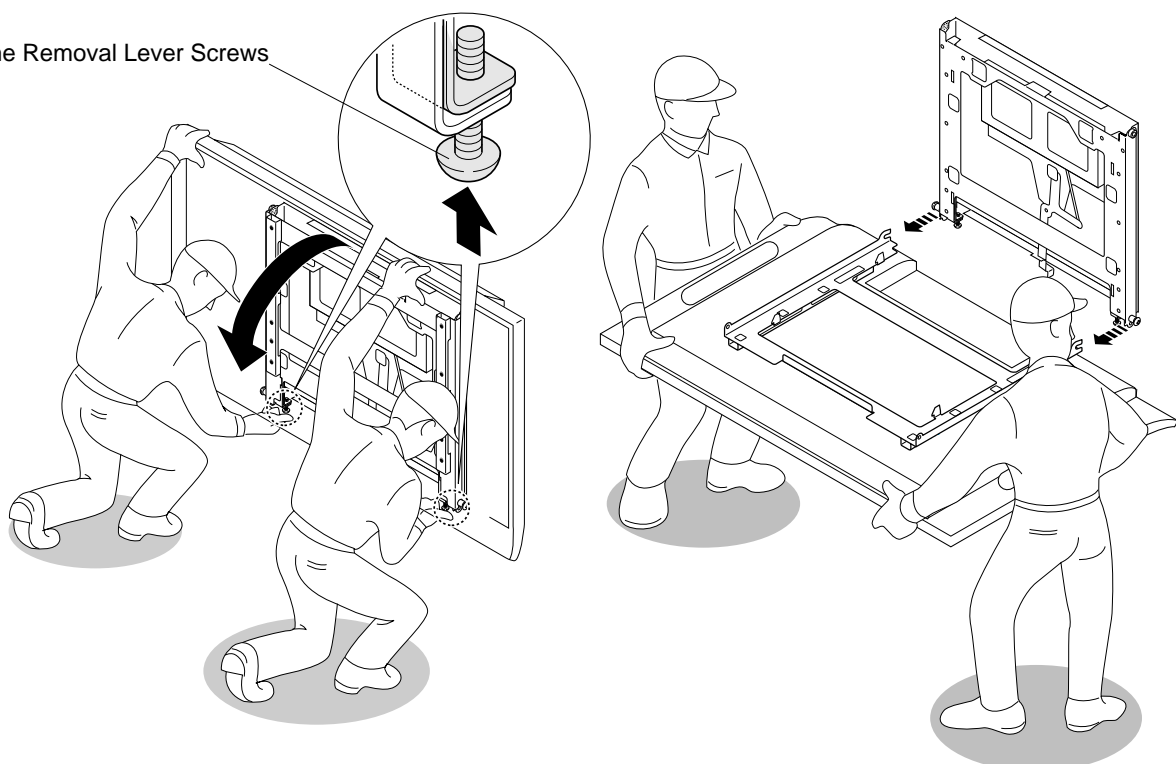
This task must be performed by at least two persons.

3. Remove the Frame Fastening Screws, Spacer Rings, Flat Washers, and Spring Washers of the two Frame Fastening Screw Components at the upper left and right of the Wall Mounting Unit.



4. Push up the heads of the screws in the Frame Attachment Lever components at the bottom left and right of the Wall Mounting Unit until they come into contact with the Frame. Then tilt the plasma display 90° forward and, without changing the inclination of the plasma display, pull the display out horizontally.

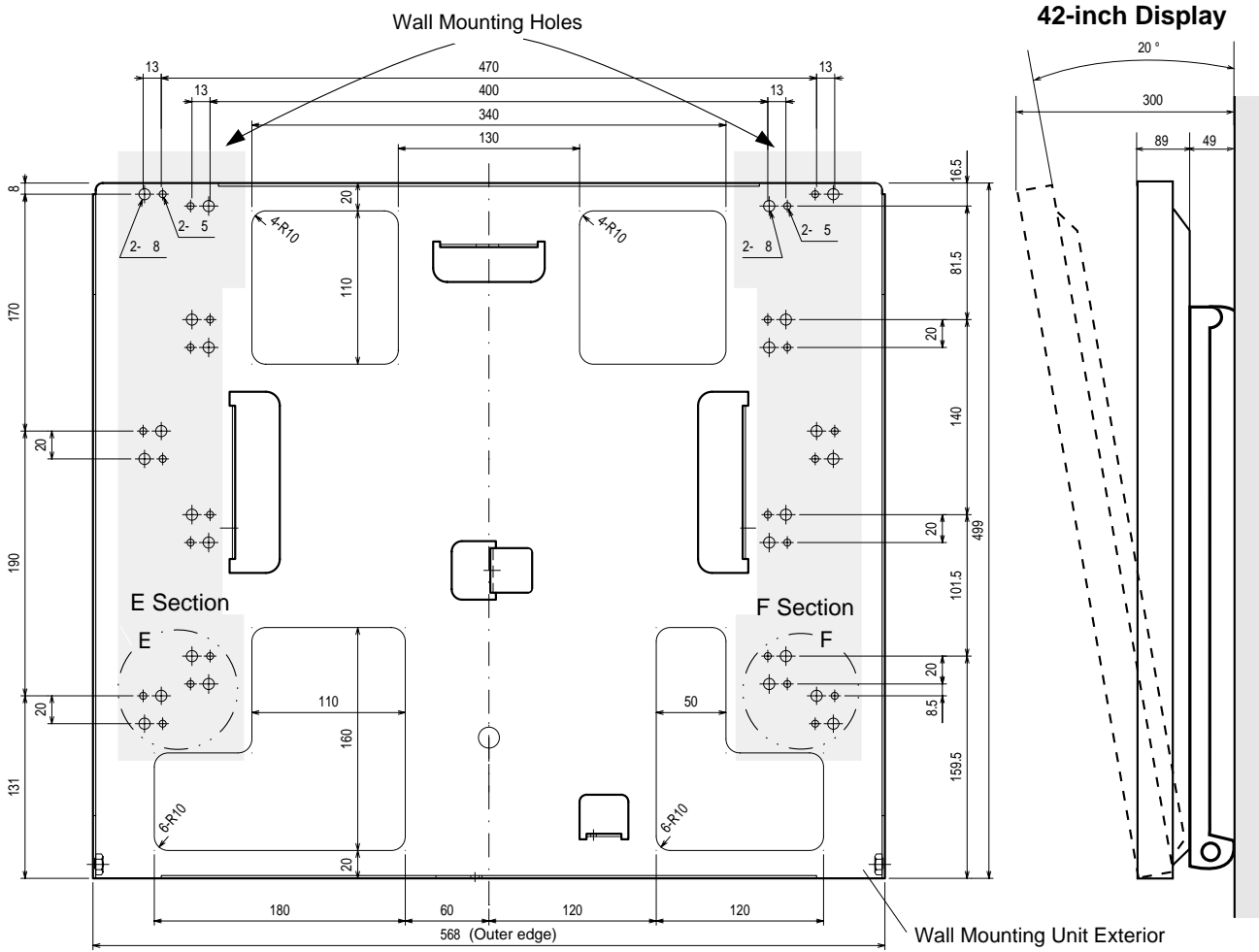
Frame Removal Lever Screws



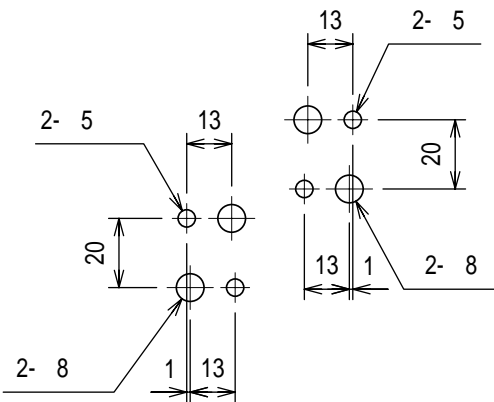
<External Dimensions>

Mass: 10 kg

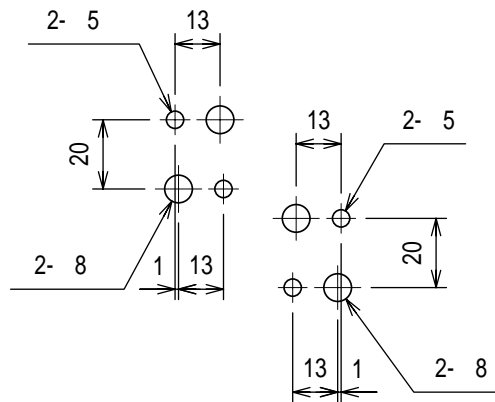
Angles of Inclination: 0°, 5°, 10°, 15°, 20°



E Section Details



F Section Details



(Units in millimeters)

